

TYPICAL 60' RIGHT-OF-WAY CURB & GUTTER STREET SECTION

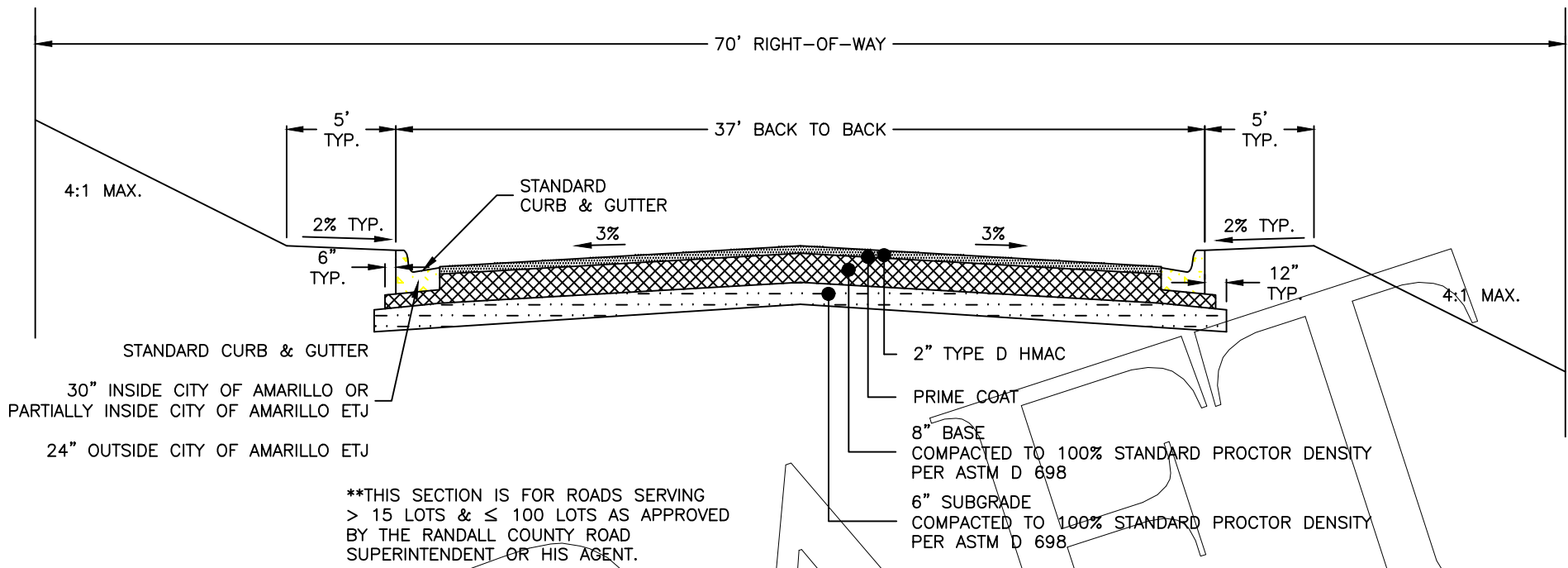
NOT TO SCALE

37' BOC-BOC STREET

NOTE:
1. SPECIFICATIONS:

- HOT MIX TO BE IN ACCORDANCE WITH CITY OF AMARILLO STANDARD SPECIFICATIONS
 - PRIME COAT TO BE IN ACCORDANCE WITH CITY OF AMARILLO STANDARD SPECIFICATIONS
 - BASE TO BE IN ACCORDANCE WITH CITY OF AMARILLO STANDARD SPECIFICATIONS
2. THIS SECTION DOES NOT ACCOUNT FOR FROST HEAVE.
3. SUBGRADE MUST HAVE A LIQUID LIMIT LESS THAN 50.

This document is released for the purpose of Interim review under the authority of Dwight L. Brandt P.E. 48280 on 03.10.17
It is not to be used for construction, bidding, or permit purposes.



TYPICAL 70' RIGHT-OF-WAY CURB & GUTTER STREET SECTION

NOT TO SCALE

37' BOC-BOC STREET

NOTE:

1. SPECIFICATIONS:

- HOT MIX TO BE IN ACCORDANCE WITH CITY OF AMARILLO STANDARD SPECIFICATIONS
- PRIME COAT TO BE IN ACCORDANCE WITH CITY OF AMARILLO STANDARD SPECIFICATIONS
- BASE TO BE IN ACCORDANCE WITH CITY OF AMARILLO STANDARD SPECIFICATIONS

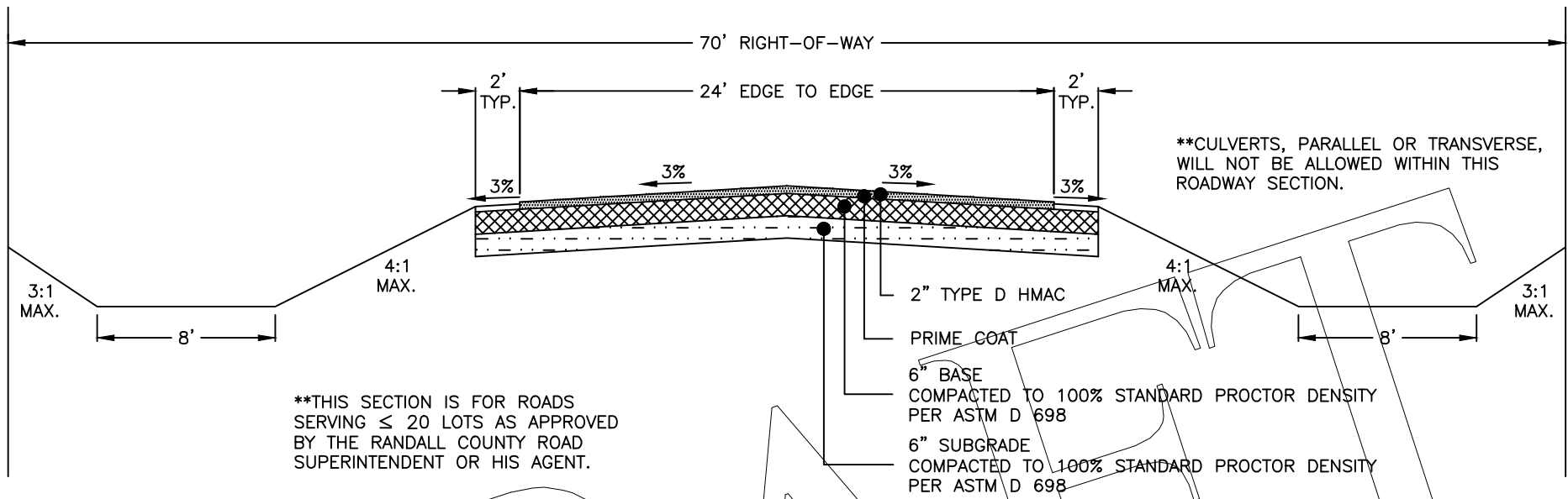
2. THIS SECTION DOES NOT ACCOUNT FOR FROST HEAVE.

3. SUBGRADE MUST HAVE A LIQUID LIMIT LESS THAN 50.

This document is released for the purpose of Interim review under the authority of Dwight L. Brandt P.E. 48280 on 03.10.17

It is not to be used for construction, bidding, or permit purposes.

BRANDT ENGINEERS
F-4174



**THIS SECTION IS FOR ROADS
SERVING ≤ 20 LOTS AS APPROVED
BY THE RANDALL COUNTY ROAD
SUPERINTENDENT OR HIS AGENT.

TYPICAL 70' RIGHT-OF-WAY ROAD SECTION

NOT TO SCALE

24' PAVED SURFACE

NOTE:

1. SPECIFICATIONS:

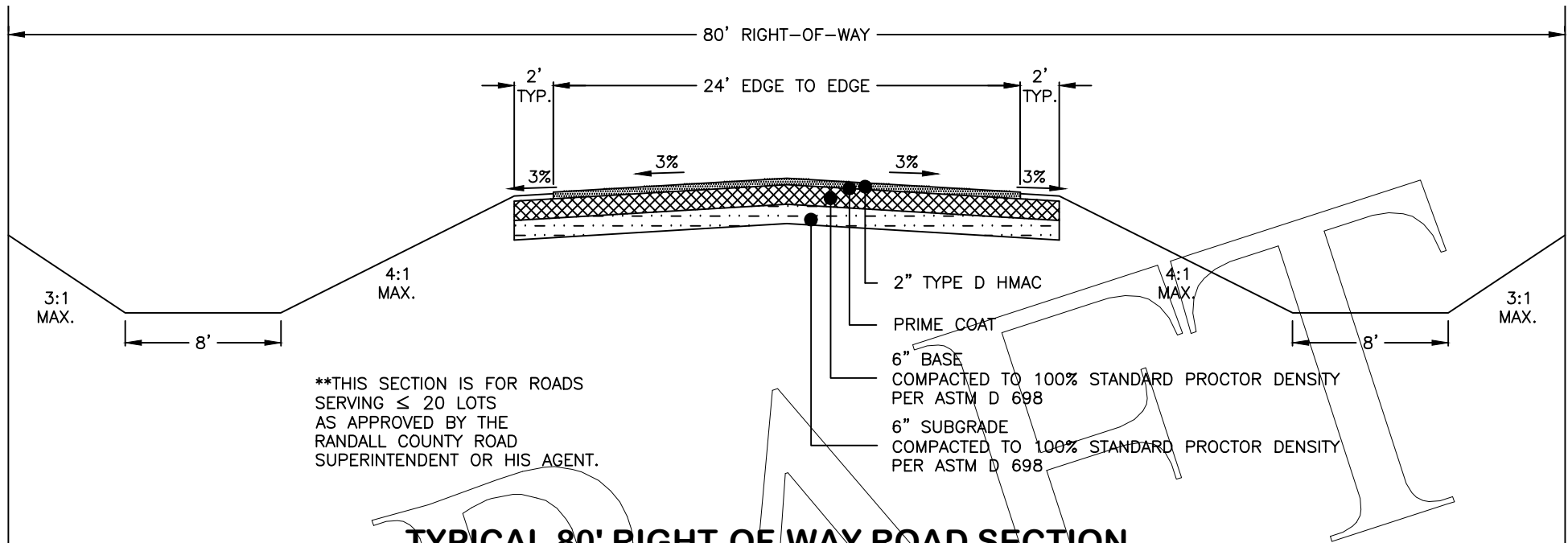
- HOT MIX TO BE IN ACCORDANCE WITH CITY OF AMARILLO STANDARD SPECIFICATIONS
- PRIME COAT TO BE IN ACCORDANCE WITH CITY OF AMARILLO STANDARD SPECIFICATIONS
- BASE TO BE IN ACCORDANCE WITH CITY OF AMARILLO STANDARD SPECIFICATIONS

2. THIS SECTION DOES NOT ACCOUNT FOR FROST HEAVE.
3. SUBGRADE MUST HAVE A LIQUID LIMIT LESS THAN 50.
4. PROVIDE ADDITIONAL RIGHT-OF-WAY OR EASEMENT IF NECESSARY TO COMPLY WITH DRAINAGE STRUCTURES.

This document is released for the purpose of Interim review under the authority of Dwight L. Brandt P.E. 48280 on 03.10.17

It is not to be used for construction, bidding, or permit purposes.

BRANDT ENGINEERS
F-4174



**THIS SECTION IS FOR ROADS
SERVING \leq 20 LOTS
AS APPROVED BY THE
RANDALL COUNTY ROAD
SUPERINTENDENT OR HIS AGENT.

2" TYPE D HMAc
PRIME COAT
6" BASE
COMPACTED TO 100% STANDARD PROCTOR DENSITY
PER ASTM D 698
6" SUBGRADE
COMPACTED TO 100% STANDARD PROCTOR DENSITY
PER ASTM D 698

TYPICAL 80' RIGHT-OF-WAY ROAD SECTION

NOT TO SCALE

24' PAVED SURFACE

NOTE:

1. SPECIFICATIONS:

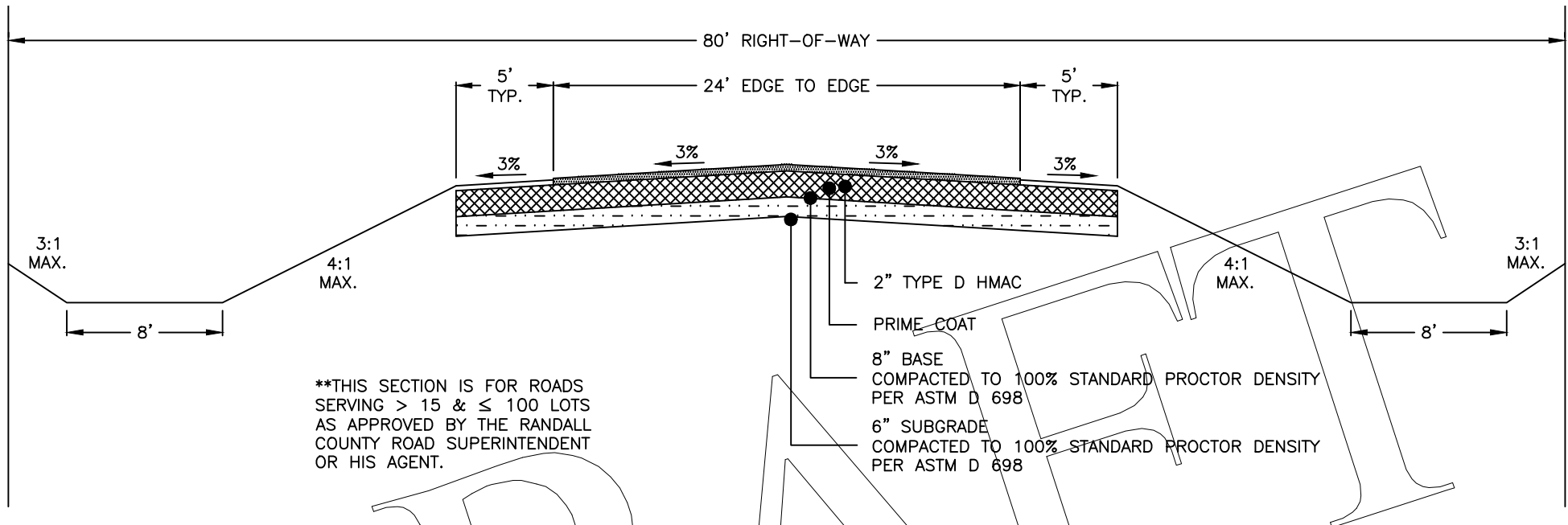
- HOT MIX TO BE IN ACCORDANCE WITH CITY OF AMARILLO STANDARD SPECIFICATIONS
- PRIME COAT TO BE IN ACCORDANCE WITH CITY OF AMARILLO STANDARD SPECIFICATIONS
- BASE TO BE IN ACCORDANCE WITH CITY OF AMARILLO STANDARD SPECIFICATIONS

2. THIS SECTION DOES NOT ACCOUNT FOR FROST HEAVE.
3. SUBGRADE MUST HAVE A LIQUID LIMIT LESS THAN 50.
4. PROVIDE ADDITIONAL RIGHT-OF-WAY OR EASEMENT IF NECESSARY TO COMPLY WITH DRAINAGE STRUCTURES.

This document is released for the purpose of Interim review under the authority of Dwight L. Brandt P.E. 48280 on 03.10.17

It is not to be used for construction, bidding, or permit purposes.

BRANDT ENGINEERS
F-4174



**THIS SECTION IS FOR ROADS SERVING > 15 & ≤ 100 LOTS AS APPROVED BY THE RANDALL COUNTY ROAD SUPERINTENDENT OR HIS AGENT.

2" TYPE D HMA
 PRIME COAT
 8" BASE
 COMPACTED TO 100% STANDARD PROCTOR DENSITY PER ASTM D 698
 6" SUBGRADE
 COMPACTED TO 100% STANDARD PROCTOR DENSITY PER ASTM D 698

TYPICAL 80' RIGHT-OF-WAY ROAD SECTION

NOT TO SCALE

24' PAVED SURFACE

NOTE:

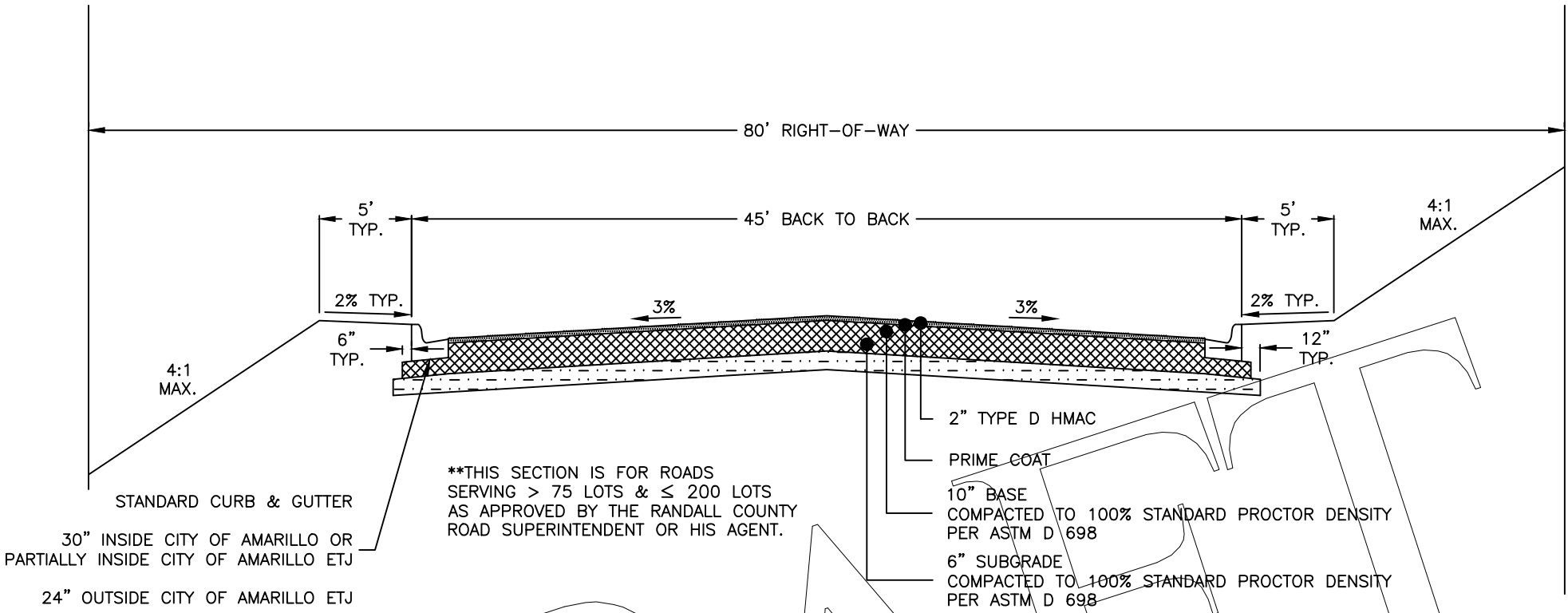
1. SPECIFICATIONS:

- HOT MIX TO BE IN ACCORDANCE WITH CITY OF AMARILLO STANDARD SPECIFICATIONS
 - PRIME COAT TO BE IN ACCORDANCE WITH CITY OF AMARILLO STANDARD SPECIFICATIONS
 - BASE TO BE IN ACCORDANCE WITH CITY OF AMARILLO STANDARD SPECIFICATIONS
2. THIS SECTION DOES NOT ACCOUNT FOR FROST HEAVE.
3. SUBGRADE MUST HAVE A LIQUID LIMIT LESS THAN 50.
4. PROVIDE ADDITIONAL RIGHT-OF-WAY OR EASEMENT IF NECESSARY TO COMPLY WITH DRAINAGE STRUCTURES.

This document is released for the purpose of Interim review under the authority of Dwight L. Brandt P.E. 48280 on 03.10.17

It is not to be used for construction, bidding, or permit purposes.

BRANDT ENGINEERS
 F-4174



TYPICAL 80' RIGHT-OF-WAY CURB & GUTTER STREET SECTION

NOT TO SCALE

45' CURB & GUTTER

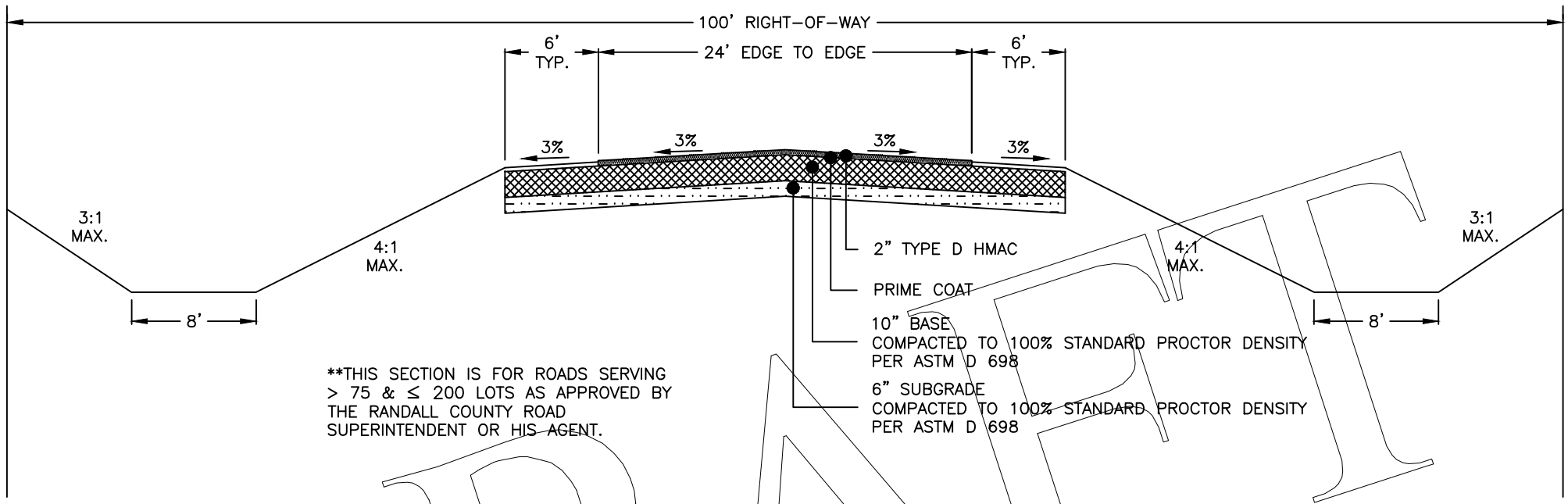
**THIS SECTION IS FOR ROADS SERVING > 75 LOTS & ≤ 200 LOTS AS APPROVED BY THE RANDALL COUNTY ROAD SUPERINTENDENT OR HIS AGENT.

- 2" TYPE D HMAC
- PRIME COAT
- 10" BASE
COMPACTED TO 100% STANDARD PROCTOR DENSITY PER ASTM D 698
- 6" SUBGRADE
COMPACTED TO 100% STANDARD PROCTOR DENSITY PER ASTM D 698

NOTE:
1. SPECIFICATIONS:

- HOT MIX TO BE IN ACCORDANCE WITH CITY OF AMARILLO STANDARD SPECIFICATIONS
 - PRIME COAT TO BE IN ACCORDANCE WITH CITY OF AMARILLO STANDARD SPECIFICATIONS
 - BASE TO BE IN ACCORDANCE WITH CITY OF AMARILLO STANDARD SPECIFICATIONS
2. THIS SECTION DOES NOT ACCOUNT FOR FROST HEAVE.
3. SUBGRADE MUST HAVE A LIQUID LIMIT LESS THAN 50.

This document is released for the purpose of Interim review under the authority of Dwight L. Brandt P.E. 48280 on 03.10.17
It is not to be used for construction, bidding, or permit purposes.



**THIS SECTION IS FOR ROADS SERVING
 > 75 & ≤ 200 LOTS AS APPROVED BY
 THE RANDALL COUNTY ROAD
 SUPERINTENDENT OR HIS AGENT.

2" TYPE D HMAC
 PRIME COAT
 10" BASE
 COMPACTED TO 100% STANDARD PROCTOR DENSITY
 PER ASTM D 698
 6" SUBGRADE
 COMPACTED TO 100% STANDARD PROCTOR DENSITY
 PER ASTM D 698

TYPICAL 100' RIGHT-OF-WAY ROAD SECTION

NOT TO SCALE

24' PAVED SURFACE

NOTE:

1. SPECIFICATIONS:

- HOT MIX TO BE IN ACCORDANCE WITH CITY OF AMARILLO STANDARD SPECIFICATIONS
 - PRIME COAT TO BE IN ACCORDANCE WITH CITY OF AMARILLO STANDARD SPECIFICATIONS
 - BASE TO BE IN ACCORDANCE WITH CITY OF AMARILLO STANDARD SPECIFICATIONS
2. THIS SECTION DOES NOT ACCOUNT FOR FROST HEAVE.
 3. SUBGRADE MUST HAVE A LIQUID LIMIT LESS THAN 50.
 4. PROVIDE ADDITIONAL RIGHT-OF-WAY OR EASEMENT IF NECESSARY TO COMPLY WITH DRAINAGE STRUCTURES.

This document is released for the purpose of Interim review under the authority of Dwight L. Brandt P.E. 48280 on 03.10.17
 It is not to be used for construction, bidding, or permit purposes.